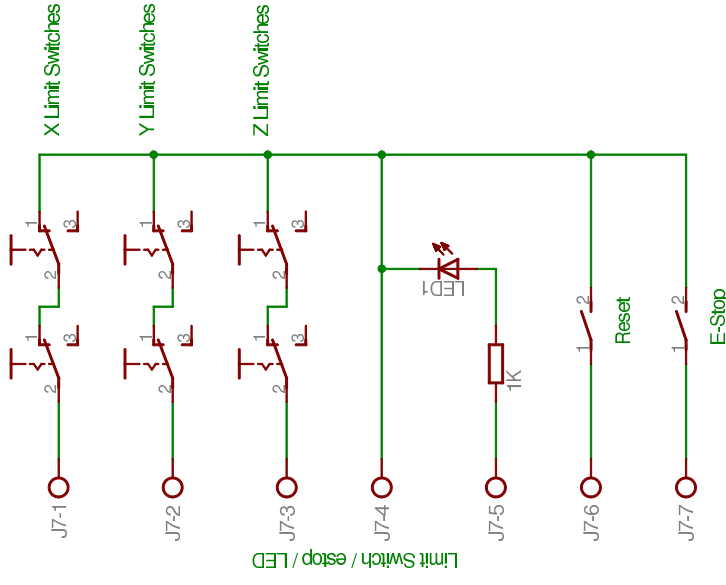
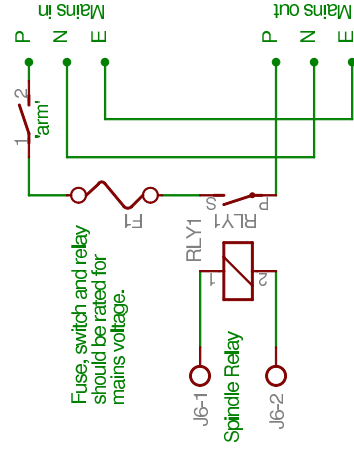
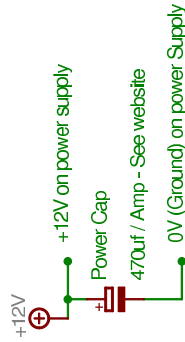
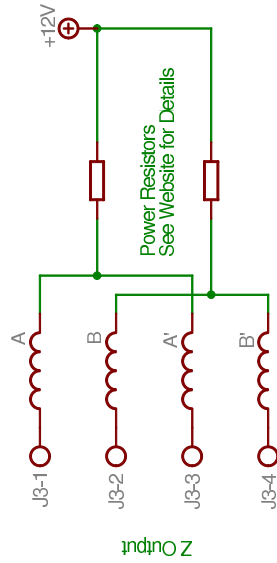
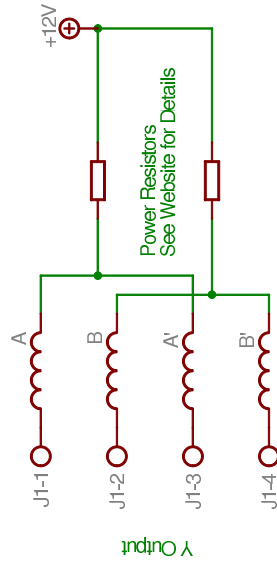
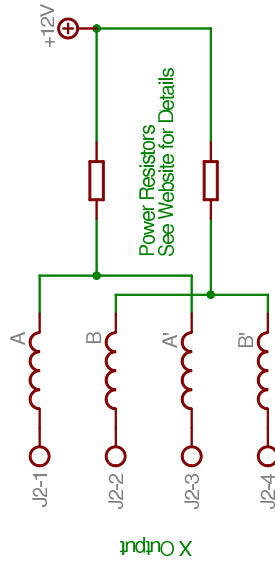


### 3Step - Connections to the outside world



# 3Step V1.0

TITLE: connections

Document Number:

REV:

Date: 4/27/2007 23:42:53

Sheet: 1/1

For more information, and a bit of reading visit <http://www.ohmark.co.nz/3step>

Copyright (C) 2007 Chris Hellyar. You may use this for whatever you like, but don't blame me if it blows up!